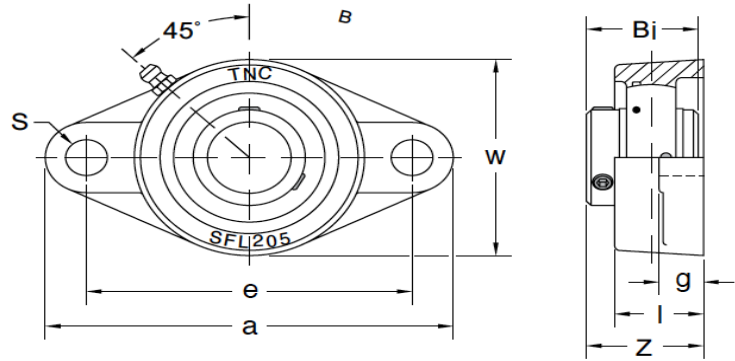
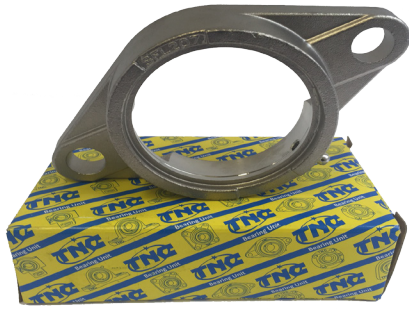


Stainless Steel Housings



Stainless Steel FL200 Oval Flanged Units

Bearing Unit No.	Shaft Dia.		Dimensions (in. and mm)										Bolt in or mm	Bearing No.	Housing
	d		a	e	i	g	l	s	b	z	Bi	n			
	In.	mm													
SS-UC-SS-FL201		12	113	90	15	11	25.5	12	60	33.3	31	12.7	M10	SSUC201	SSFL204
SS-UC-SS-FL201-08	1/2		4-7/16	3-35/64	19/32	7/16	1	15/32	2-3/8	1-5/16	1.2205	0.5	3/8	SSUC201-08	SSFL204
SS-UC-SS-FL202		15	113	90	15	11	25.5	12	60	33.3	31	12.7	M10	SSUC202	SSFL204
SS-UC-SS-FL202-10	5/8		4-7/16	3-35/64	19/32	7/16	1	15/32	2-3/8	1-5/16	1.2205	0.5	3/8	SSUC202-10	SSFL204
SS-UC-SS-FL203		17	113	90	15	11	25.5	12	60	33.3	31	12.7	M10	SSUC203	SSFL204
SS-UC-SS-FL204		20	113	90	15	11	25.5	12	60	33.3	31	12.7	M10	SSUC204	SSFL204
SS-UC-SS-FL204-12	3/4		4-7/16	3-35/64	19/32	7/16	1	15/32	2-3/8	1-5/16	1.2205	0.5	3/8	SSUC202-10	SSFL204
SS-UC-SS-FL205		25	130	99	16	13	27	16	68	35.7	34.1	14.3	M14	SSUC205	SSFL205
SS-UC-SS-FL205-16	1		5-1/8	3-57/64	5/8	1/2	1-1/16	5/8	2-11/16	1-13/32	1.3386	0.563	1/2	SSUC205-16	SSFL205
SS-UC-SS-FL206		30	148	117	18	13	31	16	80	40.2	38.1	15.9	M14	SSUC206	SSFL206
SS-UC-SS-FL206-20	1-1/4		5-13/16	4-39/64	45/64	1/2	1-7/32	5/8	3-5/32	1-19/32	1.5	0.626	1/2	SSUC206-20	SSFL206
SS-UC-SS-FL207		35	161	130	19	14	34	16	90	44.4	42.9	17.5	M14	SSUC207	SSFL207
SS-UC-SS-FL207-20	1-1/4		6-11/32	5-1/8	3/4	9/16	1-11/32	5/8	3-17/32	1-3/4	1.689	0.689	1/2	SSUC207-20	SSFL207
SS-UC-SS-FL207-22	1-3/8		6-11/32	5-1/8	3/4	9/16	1-11/32	5/8	3-17/32	1-3/4	1.689	0.689	1/2	SSUC207-22	SSFL207
SS-UC-SS-FL207-23	1-7/16		6-11/32	5-1/8	3/4	9/16	1-11/32	5/8	3-17/32	1-3/4	1.689	0.689	1/2	SSUC207-23	SSFL207
SS-UC-SS-FL208		40	175	144	21	14	36	16	100	51.2	49.2	19	M14	SSUC208	SSFL208
SS-UC-SS-FL208-24	1-1/2		6-7/8	5-43/64	53/64	9/16	1-13/32	5/8	3-15/16	2-1/32	1.937	0.748	1/2	SSUC208-24	SSFL208
SS-UC-SS-FL209		45	188	148	22	15	38	19	108	52.2	49.2	19	M16	SSUC209	SSFL209
SS-UC-SS-FL209-26	1-5/8		7-13/32	5-53/64	55/64	19/32	1-1/2	3/4	4-1/4	2-1/16	1.937	0.748	5/8	SSUC209-26	SSFL209
SS-UC-SS-FL209-28	1-3/4		7-13/32	5-53/64	55/64	19/32	1-1/2	3/4	4-1/4	2-1/16	1.937	0.748	5/8	SSUC209-28	SSFL209
SS-UC-SS-FL210		50	197	157	22	15	40	19	115	54.6	51.6	19	M16	SSUC210	SSFL210
SS-UC-SS-FL210-32	2		7-3/4	6-3/16	55/64	19/32	1-9/16	3/4	4-17/32	2-5/32	2.0315	0.748	5/8	SSUC210-32	SSFL210